

# lightbout.iQ

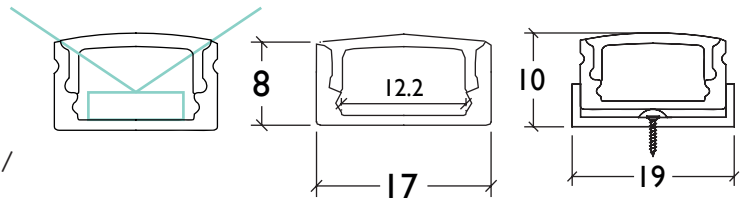
Rinia Profile Range

# Profiles

## RINIA Aluminium Linear Profiles

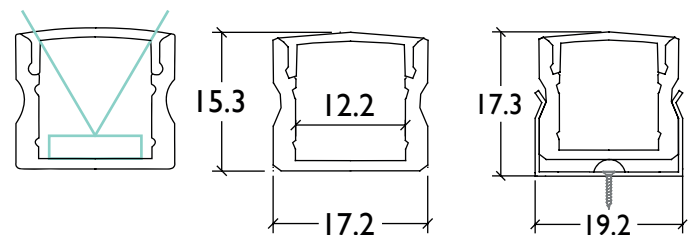
### 01: Classic Slim

Dimensions: 17.2mm (w) x 8mm (h)  
 Dimensions with clips: 19 mm (w) x 10mm (h)  
 Length: Maximum length 2 Meters  
 Finish: Aluminium or RAL\*  
 Diffuser: Frosted  
 IP-Rating: IP20  
 Accessories: Mounting Clip / End Cap / Power End Cap



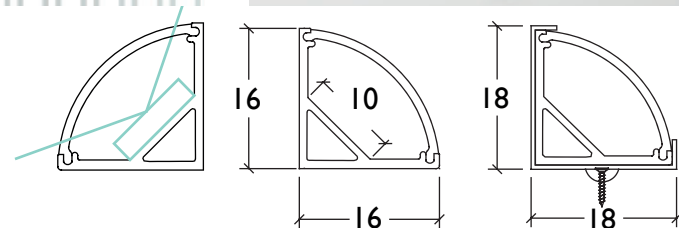
### 02: Classic Deep

Dimensions: 17.2mm (w) x 15.3mm (h)  
 Dimensions with clips: 19.2mm (w) x 17.3mm (h)  
 Length: Maximum length 2 Meters  
 Finish: Aluminium or RAL\*  
 Diffuser: Frosted  
 IP-Rating: IP20  
 Accessories: Mounting Clip / End Cap / Power End Cap



### 03: Corner Slim

Dimensions: 16mm (w) x 16mm (h)  
 Dimensions with clips: 18 mm (w) x 18mm (h)  
 Length: Maximum length 2 Meters  
 Finish: Aluminium or RAL\*  
 Diffuser: Frosted  
 IP-Rating: IP20  
 Accessories: Mounting Clip / End Cap / Power End Cap



	No.	Reference	Finish:	Length
RINIA PROFILE:				mm

The Rinia range of aluminium profiles protect the tape from the environment, work as a heat-sink for optimum LED performance, as well as controlling and diffusing the light output. The aluminium is double anodised and the acrylic PMMA cover is supplied in frosted as standard. Popular with our commercial clients are the custom RAL finishes. The profiles come in two meter lengths as standard, are usually in stock for next day delivery and can be cut to size as required.

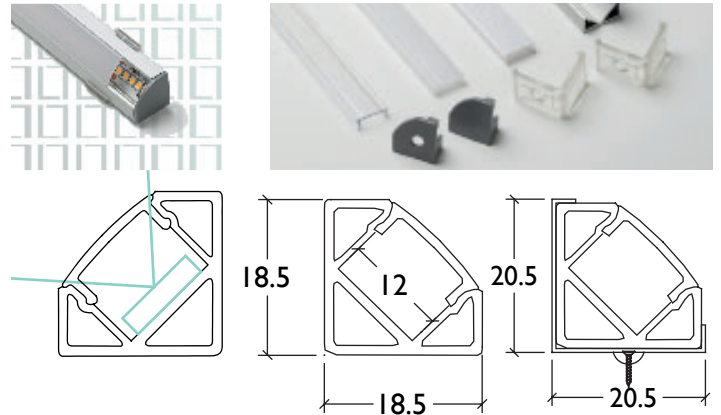
# Profiles

# RINIA PROFILES

## RINIA Aluminium Linear Profiles

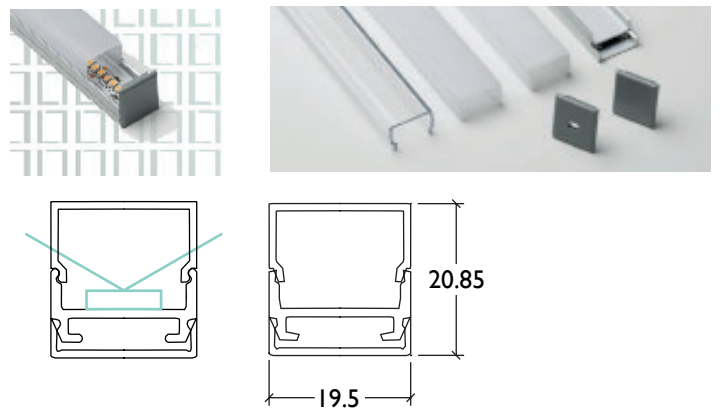
### 04: Corner Deep

Dimensions: 18.5mm (w) x 18.5mm (h)  
Dimensions with clips: 20.5mm (w) x 20.5mm (h)  
Length: Maximum length 2 Meters  
Finish: Aluminium or RAL\*  
Diffuser: Frosted  
IP-Rating: IP20  
Accessories: Mounting Clip / End Cap / Power End Cap



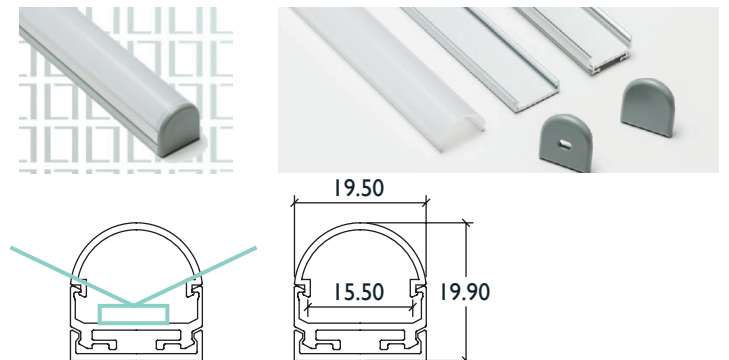
### 05: Box Profile

Dimensions: 19.5mm (w) x 20.85mm (h)  
Length: Maximum length 2 Meters  
Finish: Aluminium or RAL\*  
Diffuser: Frosted  
IP-Rating: P20  
Accessories: End Cap /Power End Cap



### 06: Dome Profile

Dimensions: 19.5mm (w) x 19.9mm (h)  
Length: Maximum length 2 Meters  
Finish: Aluminium or RAL\*  
Diffuser: Frosted  
IP-Rating: IP20  
Accessories: End Cap /Power End Cap



	No.	Reference	Finish:	Length
RINIA PROFILE:				mm

The Rinia range of aluminium profiles protect the tape from the environment, work as a heat-sink for optimum LED performance, as well as controlling and diffusing the light output. The aluminium is double anodised and the acrylic PMMA cover is supplied in frosted as standard. Popular with our commercial clients are the custom RAL finishes. The profiles come in two meter lengths as standard, are usually in stock for next day delivery and can be cut to size as required.

# Profiles

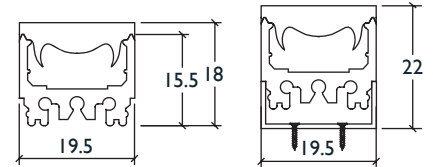
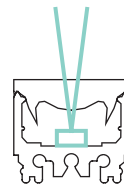
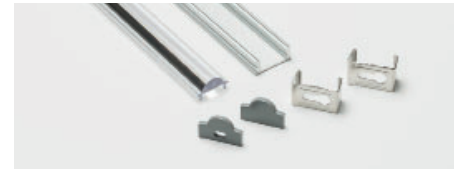
# RINIA

PROFILES

## RINIA Aluminium Linear Profiles

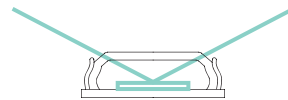
### 07: Square Profile with 10° Grazing Optic

Dimensions: 19.5mm (w) x 18mm (h)  
 Dimensions with clips: 19.5mm (w) x 22mm (h)  
 Length: Maximum length 2 Meters  
 Finish: Aluminium or RAL\*  
 Diffuser: Frosted  
 IP-Rating: IP20  
 Accessories: Mounting Clip / End Cap / Power End Cap



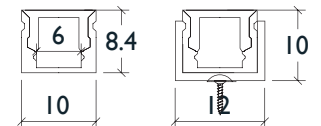
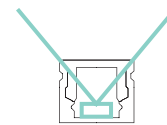
### 08: Bendable Profile

Dimensions: 18mm (w) x 5.7mm (h)  
 Dimensions with clips: 20mm (w) x 8mm (h)  
 Length: Maximum length 2 Meters  
 Finish: Aluminium or RAL\*  
 Diffuser: Frosted  
 IP-Rating: IP20  
 Accessories: Mounting Clip / End Cap / Power End Cap



### 09: Mini Profile

Dimensions: 10mm (w) x 8.4mm (h)  
 Dimensions with clips: 12mm (w) x 10mm (h)  
 Length: Maximum length 2 Meters  
 Finish: Aluminium or RAL\*  
 Diffuser: Frosted  
 IP-Rating: IP20  
 Accessories: Mounting Clip / End Cap / Power End Cap



	No.	Reference	Finish:	Length
RINIA PROFILE:				mm

The Rinia range of aluminium profiles protect the tape from the environment, work as a heat-sink for optimum LED performance, as well as controlling and diffusing the light output. The aluminium is double anodised and the acrylic PMMA cover is supplied in frosted as standard. Popular with our commercial clients are the custom RAL finishes. The profiles come in two meter lengths as standard, are usually in stock for next day delivery and can be cut to size as required.

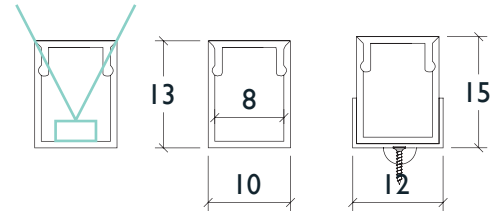
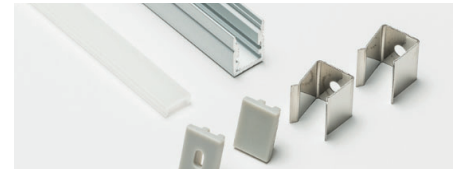
# Profiles

# RINIA PROFILES

## RINIA Aluminium Linear Profiles

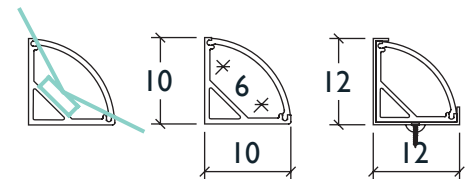
### 10: Mini Deep Profile

Dimensions:	10mm (w) x 13mm (h)
Dimensions with clips:	12mm (w) x 15mm (h)
Length:	Maximum length 2 Meters
Finish:	Aluminium or RAL*
Diffuser:	Frosted
IP-Rating:	IP20
Accessories:	Mounting Clip / End Cap / Power End Cap



### 11: Mini Corner Slim Profile

Dimensions:	10mm (w) x 10mm (h)
Dimensions with clips:	12mm (w) x 12mm (h)
Length:	Maximum length 2 Meters
Finish:	Aluminium or RAL*
Diffuser:	Frosted
IP-Rating:	IP20
Accessories:	Mounting Clip / End Cap / Power End Cap



	No.	Reference	Finish:	Length
RINIA PROFILE:				mm

The Rinia range of aluminium profiles protect the tape from the environment, work as a heat-sink for optimum LED performance, as well as controlling and diffusing the light output. The aluminium is double anodised and the acrylic PMMA cover is supplied in frosted as standard. Popular with our commercial clients are the custom RAL finishes. The profiles come in two meter lengths as standard, are usually in stock for next day delivery and can be cut to size as required.

# lightbout.iQ

0203 198 9002

[enquiries@lightboutiq.com](mailto:enquiries@lightboutiq.com)

[www.lightboutiq.com](http://www.lightboutiq.com)